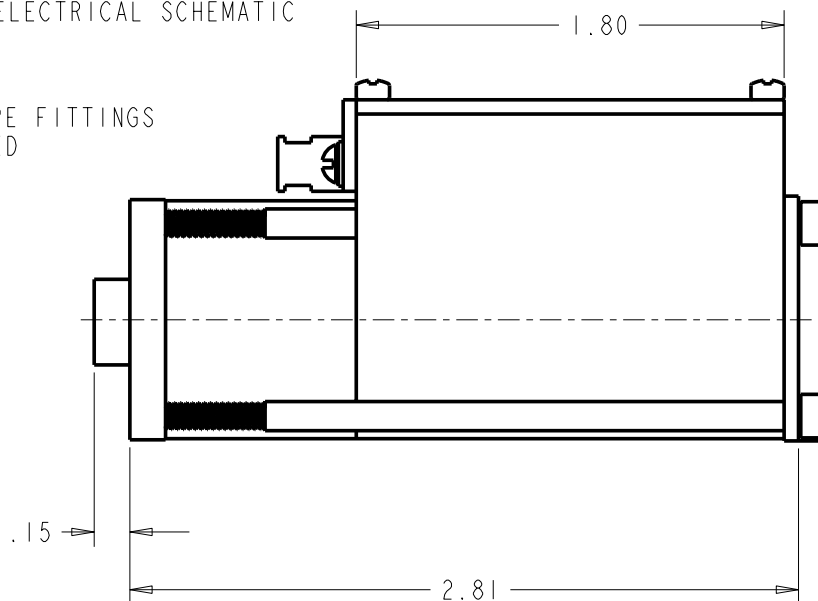
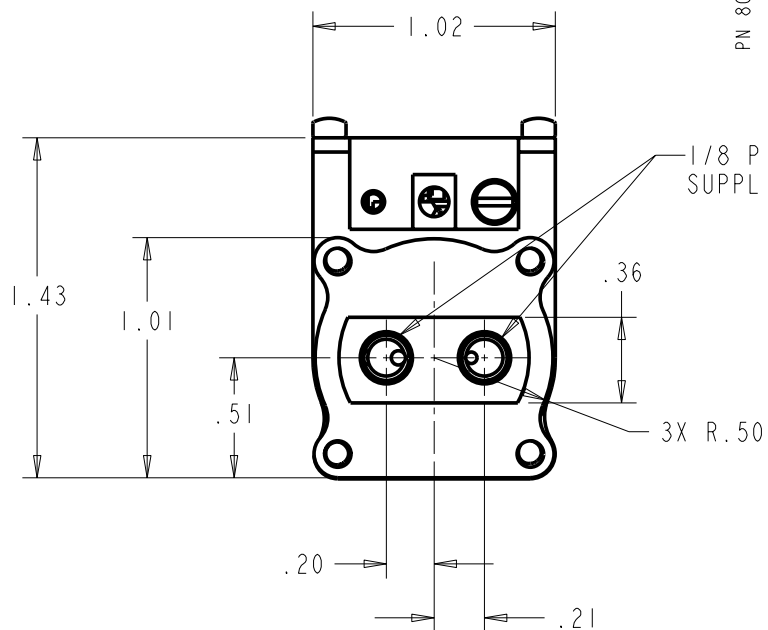
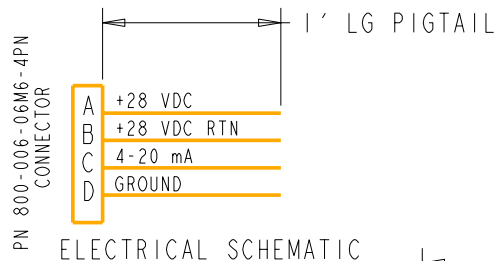


REVISIONS:			
NUMBER	DESCRIPTION	DATE	APPROVED



- NOTES:
- 1 -INPUT VOLTAGE 23-32 VDC , 28 VDC NOMINAL
 - 2 -LINEAR OUTPUT FLOW WITH 4mA TO 20 mA INPUT
 - 3 -FLOW ACCURACY $\pm 3\%$ OF INPUT COMMAND INDEPENDENT OF FUEL TEMPERATURE
 - 4 -MAX WEIGHT = .45 LBS
 - 4 -MAX OUTPUT POWER 23 WATTS
 - 5 -OPERATING TEMPERATURE -40°F TO +160°F

MATERIAL TREATMENT:		Turnkey Design Services (708) 293-1120	
UNLESS OTHERWISE NOTED: DIMENSIONS ARE IN INCHES TOLL. ARE: X.X = ± 0.1 X.XX = ± 0.01 X.XXX = ± 0.005 ANGLES = 0.5deg SURFACE FINISH = 125 MICRO IN BREAK AND DEBURR ALL EDGES DO NOT SCALE DWG		PUMP, FUEL METERING OUTLINE -23W	
SIZE: B	DWG. NO: MFP30-1	REV. -	
DRAWN: -	CHECKED: -	DATE: 11/02/01	SCALE 2/1 SHEET -